

# AquaLIGHT 106

Advanced Form of White Light



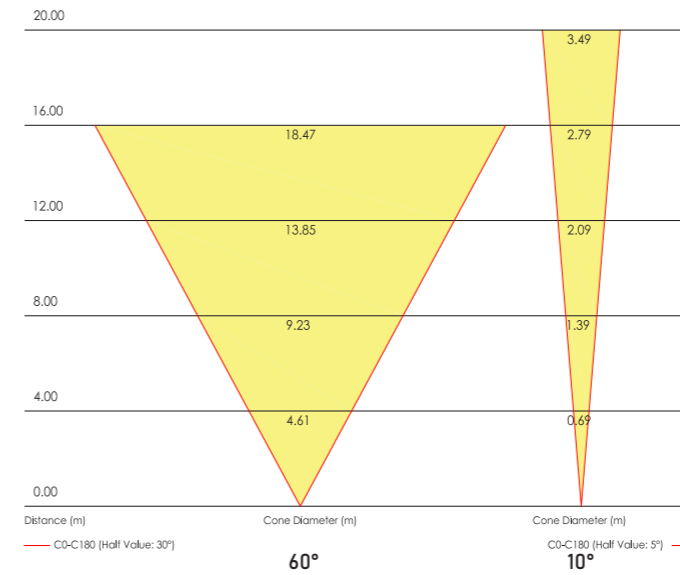
Our established lights are equipped with energy-efficient LED plates that provide effective illumination. AquaLIGHT 106 offers a single light option with various white variants (wW, W, cW). This light efficiently enhances compositions in open space fountains. This powerful light not only brings increased brightness to darkness but can also be installed in larger fountain systems. Individual fountains and water features are effectively illuminated with lights like these.



- ✓ CREE / Edison PowerLED
- ✓ Driver circuit onboard
- ✓ Aluminium PCB
- ✓ IP68
- ✓ Robust stainless steel
- ✓ Tempered glass
- ✓ DMX + RDM controlled
- ✓ Synchronorm Depece Library available

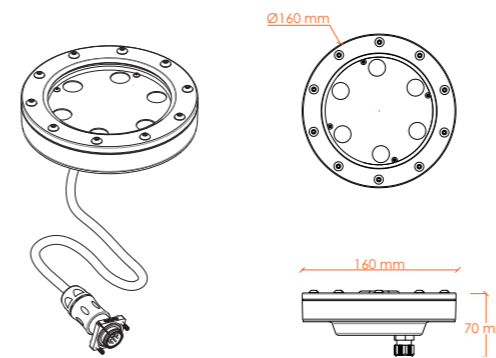
# AquaLIGHT 106

## Lighting Angle:

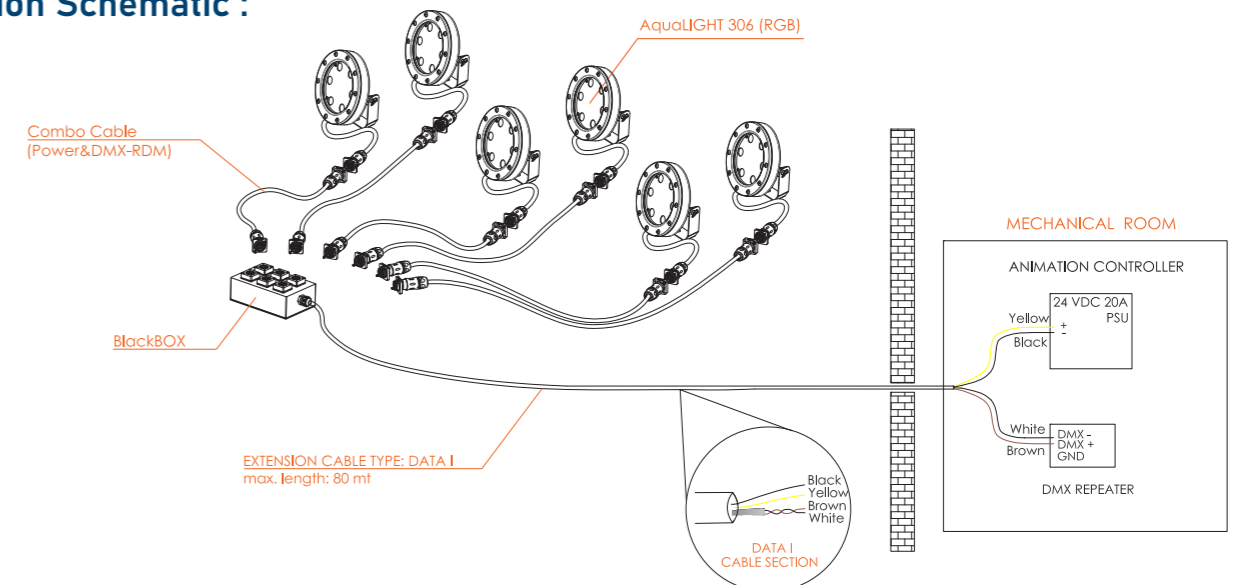


! In lighting, choosing the lens angle is as important as selecting the color or wattage. Small angles retain brightness at long distances, while wide angles cover larger areas but lose brightness over distance.

## Schematic :



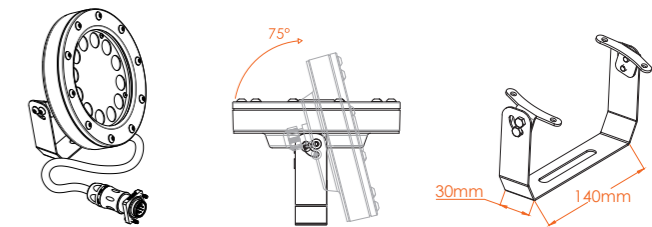
## Connection Schematic :



## ACCESSORIES

PRODUCT	ORDER NO
BlackBox :	5022
Combo Cable :	page
ByPass Terminal :	page
Comet Nozzle :	page
Holder U Profile :	1201
Holder Lighting :	1203
Multi Lighting Kit 2 :	1206
Multi Lighting Kit 3 :	1207

## Holder U Profile Schematic :



## TECHNICAL DETAILS

MODEL :	AquaLIGHT 106
DIMENSION (ØxH) :	160 x 70 mm
VOLTAGE :	24 VDC
POWER :	9 W
CURRENT :	0.4 A
COLORS :	wW / W / cW
POWER & DMX :	Combo Cable
LUMINOUS FLUX RGB FULL :	720 lm
WEIGHT :	0.8 kg
PRODUCT NO :	3004